

THIS DRAWING IS UNPUBLISHED.

RELEASED FOR PUBLICATION

© COPYRIGHT BY TYCO ELECTRONICS CORPORATION. ALL RIGHTS RESERVED.

LOC J

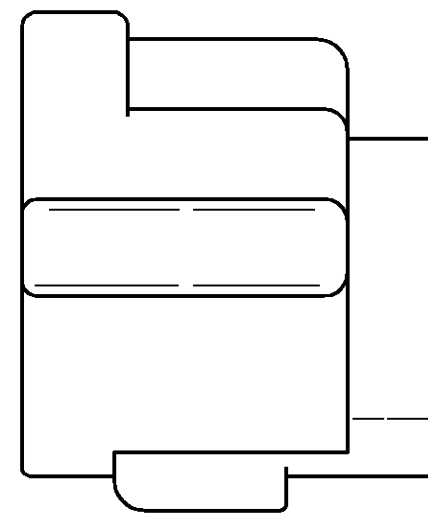
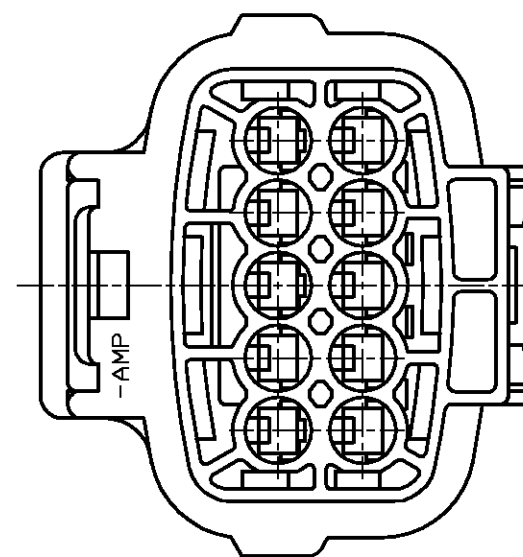
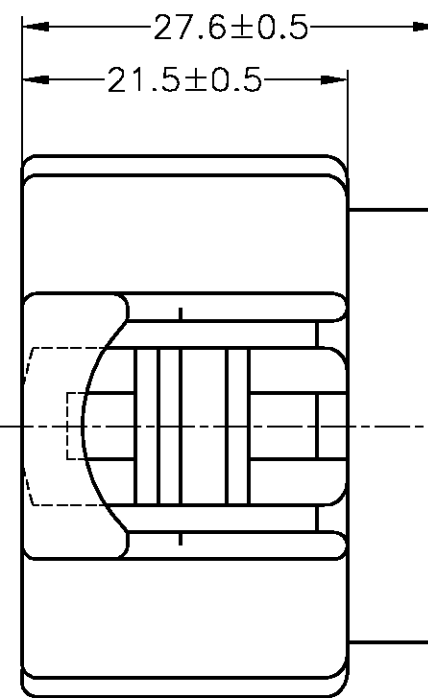
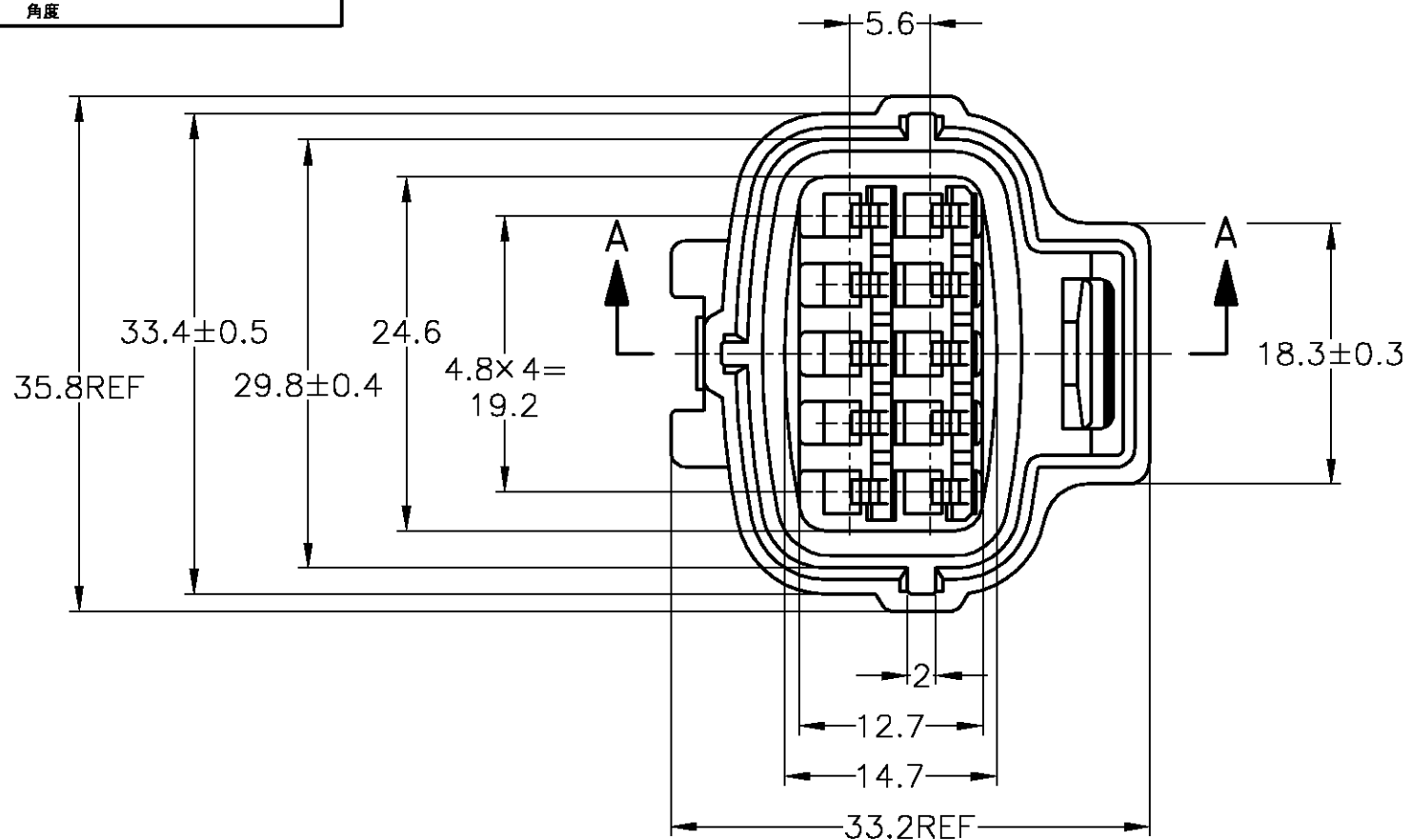
DIST -

REVISIONS
変更

P	LTR	DESCRIPTION	DATE	DWN	APVD
C1		REDRAWN W/CHANGE	FJA0-0052-04	09FEB04	TS KB

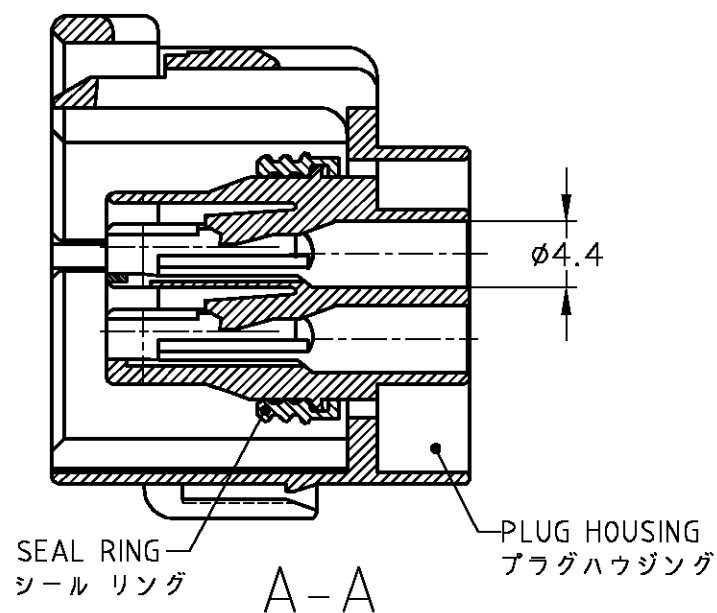
TOLERANCE UNLESS OTHERWISE SPECIFIED:
一般公差

0 < x ≤ 10 : ±0.2
10 < x ≤ 30 : ±0.25
30 < x ≤ 100 : ±0.3
ANGLE : ±3°
角度



1. 嵌合相手型番 : 174657
2. 本品はプラグハウジング単体にシールリングがアセンブリされたものである。
3. 本品はダブルロックプレート型番 174656を装着して使用する。

1. FOR CAP HOUSING PN 174657
2. THIS PART IS COMPOSED OF PLUG HOUSING AND SEAL RING
3. THIS PART MUST BE USED WITH DOUBLE LOCK PLATE PN 174656



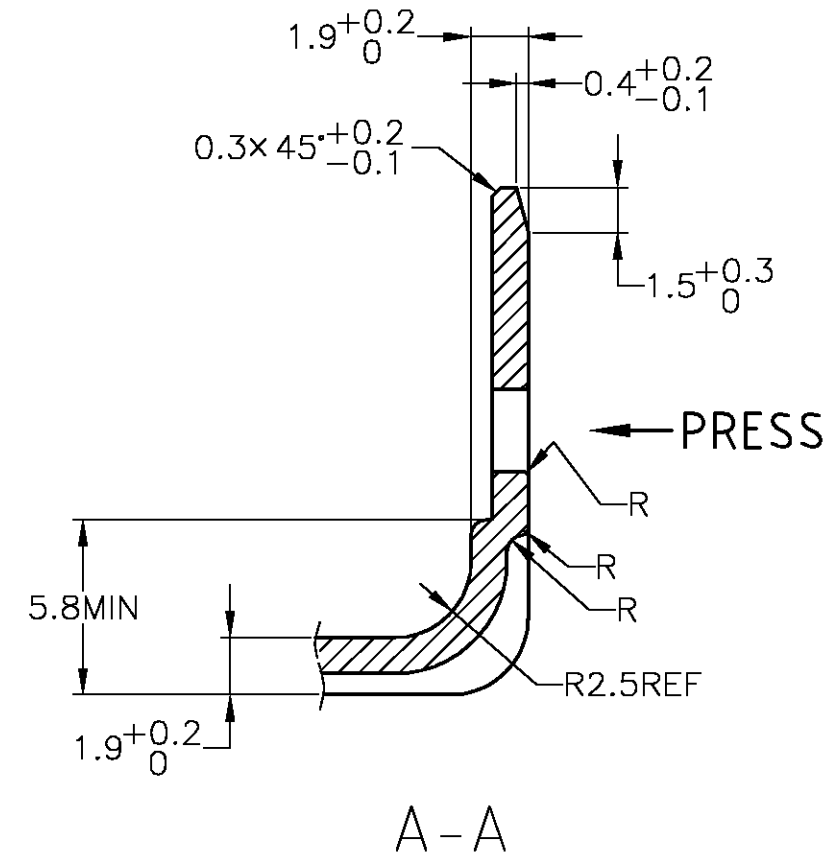
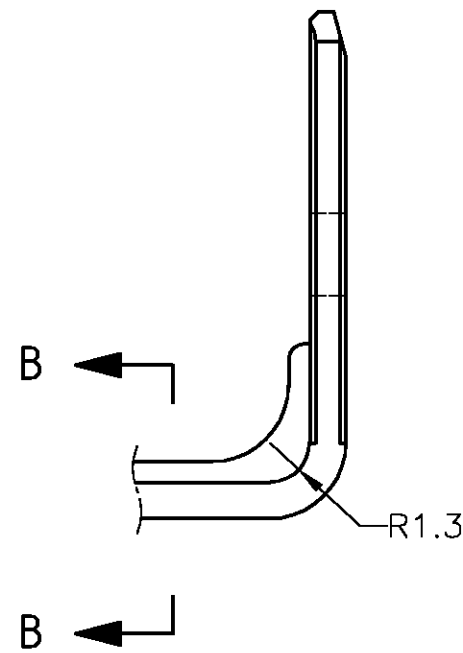
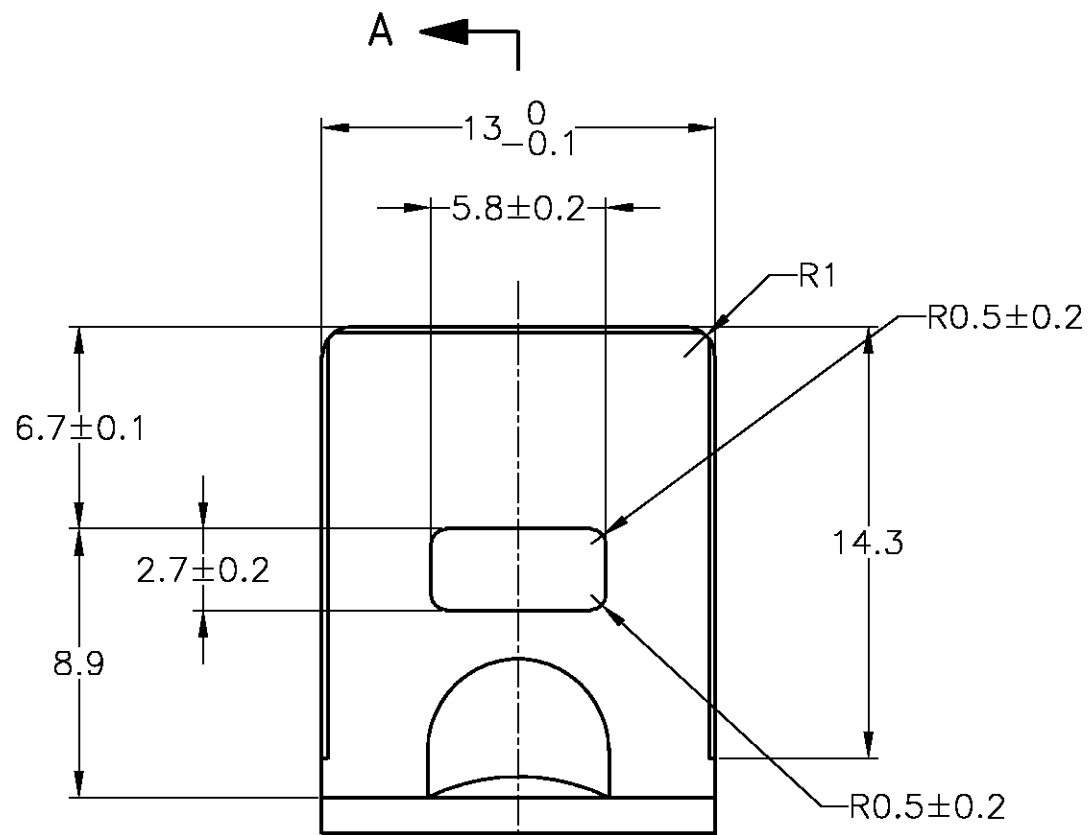
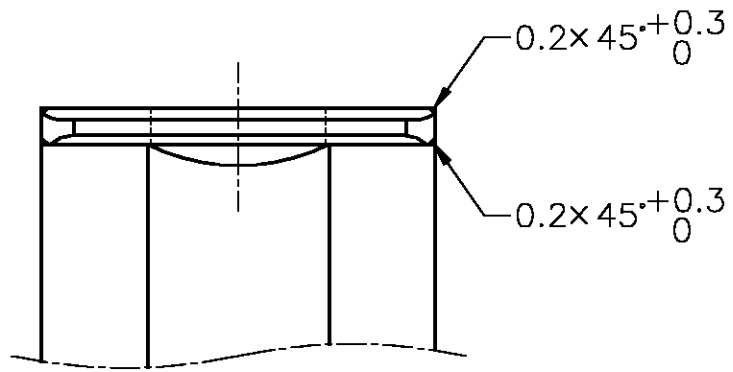
黒 BLACK	174655-2
色 COLOR	型番 PN

THIS DRAWING IS A CONTROLLED DOCUMENT.		DWN T.SHINOHARA 09FEB04	tyco Tyco Electronics AMP K.K.	
DIMENSIONS: 単位: 概 MM		CHK K.BETSUI 09FEB04	Kawasaki, Japan	
TOLERANCES UNLESS OTHERWISE SPECIFIED: 一般公差		APVD K.BETSUI 09FEB04	NAME 10Pos. ECONOSEAL J-MARKII+ CONNECTOR PLUG HOUSING	
0 PLC ± -		PRODUCT SPEC 製品規格 108-5262	SIZE A3	CAGE CODE 00779
1 PLC ± -		APPLICATION SPEC 取付適用規格 114-5082	DRAWING NO 番号 C-174655	RESTRICTED TO -
2 PLC ± -		WEIGHT 12.2g	SCALE 尺度 2:1	SHEET 1 OF 2
3 PLC ± -		MATERIAL 材料 PBT	REV C1	
4 PLC ± -		FINISH 仕上	CUSTOMER DRAWING	
ANGLES ± -				

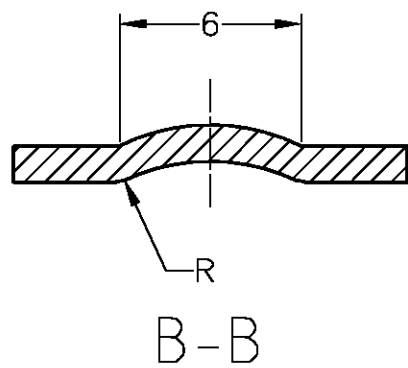
THIS DRAWING IS UNPUBLISHED. RELEASED FOR PUBLICATION
 © COPYRIGHT BY TYCO ELECTRONICS CORPORATION. ALL RIGHTS RESERVED.

LOC	DIST	REVISIONS					
		P	LTR	DESCRIPTION	DATE	DWN	APVD
J	-	-	-	SEE 1 OF 2	-	-	-

ブラケット推奨寸法図
 RECOMMENDED DIMENSION OF BRACKET



t = 1.2 ± 0.08



TOLERANCE UNLESS OTHERWISE SPECIFIED: 一般公差

0 < x ≤ 10	: ±0.2
10 < x ≤ 30	: ±0.25
30 < x ≤ 100	: ±0.3
ANGLE ; 角度	: ±3°

THIS DRAWING IS A CONTROLLED DOCUMENT.		DWN T.SHINOHARA 09FEB04	tyco Tyco Electronics AMP K.K. Kawasaki, Japan	
DIMENSIONS: 単位: 概 MM		CHK K.BETSUI 09FEB04	NAME 名称 10Pos. ECONOSEAL J-MARKII+ CONNECTOR PLUG HOUSING	
TOLERANCES UNLESS OTHERWISE SPECIFIED: 一般公差		APVD K.BETSUI 09FEB04	SIZE A3	CAGE CODE 00779
0 PLC ± -		PRODUCT SPEC 製品規格	DRAWING NO 番号 C-174655	RESTRICTED TO -
1 PLC ± -		APPLICATION SPEC 取付適用規格	SCALE 尺度 4:1	
2 PLC ± -		WEIGHT	SHEET 2 OF 2	REV C1
3 PLC ± -		CUSTOMER DRAWING		
4 PLC ANGLES ± -				
MATERIAL 材料	FINISH 仕上			